

## Valve cavities 3-way designs

110430\_cavities3\_e  
07.2018

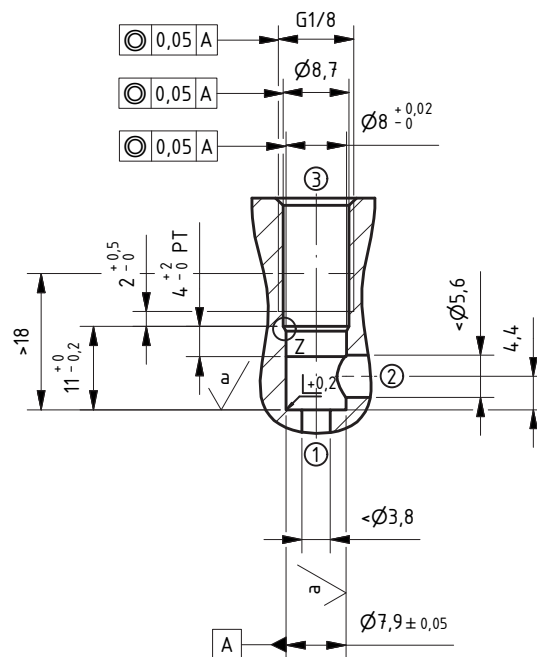
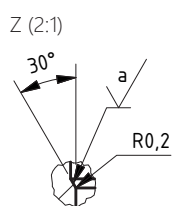
### Table of contents

Content	Page
Cavity FTRW-2,5	1
Cavity FTRW-5	2
Cavity EEPDRD3-04	2
Cavity SMSV6	3
Cavity M(S)V3/2	3
Cavity C-10-3	4
Cavity T-11A	4
Cavity T-2A	5

NOTE

$$a = \sqrt{Rz6,3} \quad \text{PT} = \text{reaming depth}$$

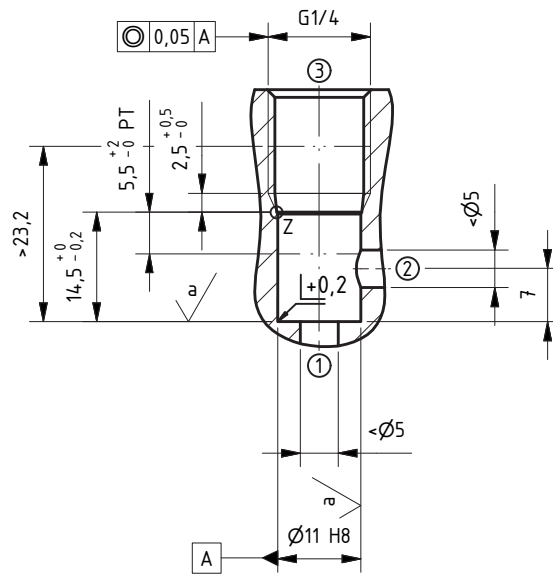
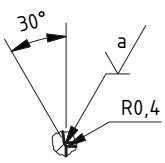
### Cavity FTRW-2,5



HE4/14 31 15

### Cavity FTRW-5

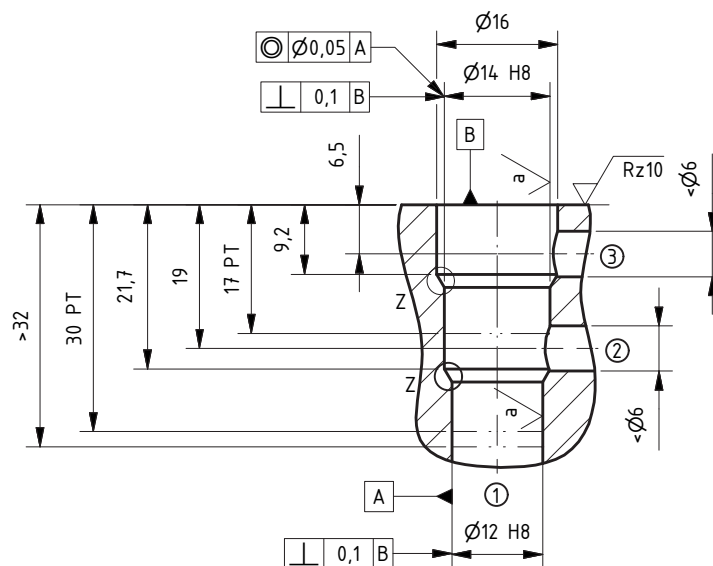
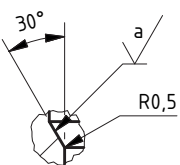
Z (2:1)



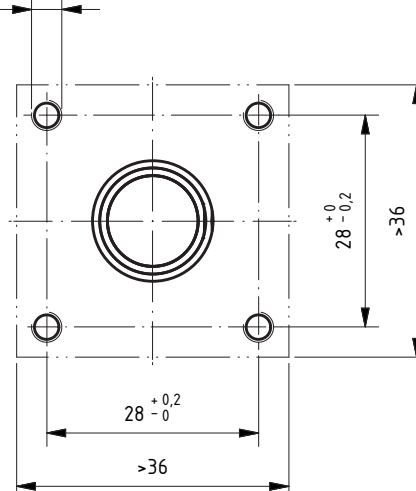
HE4/14 31 16

### Cavity EEPDRD3-04

Z (2:1)

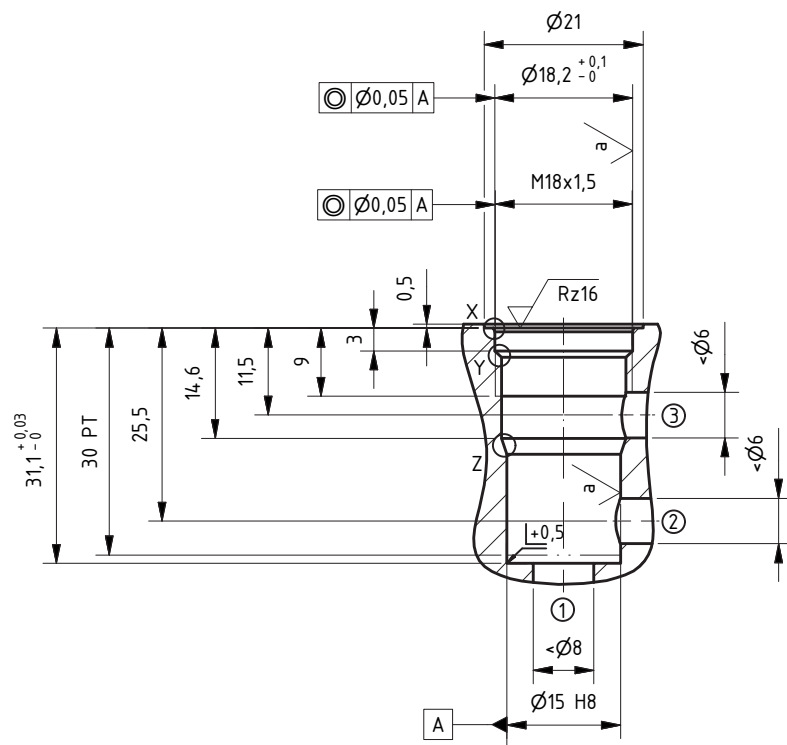
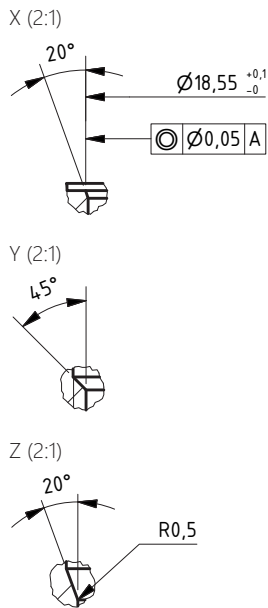


M4x9/13



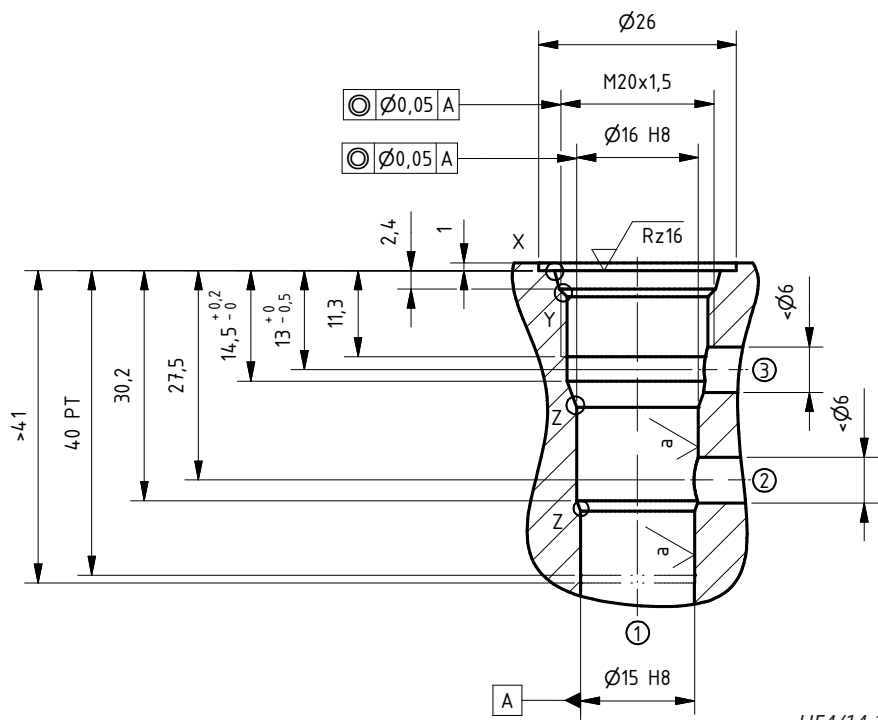
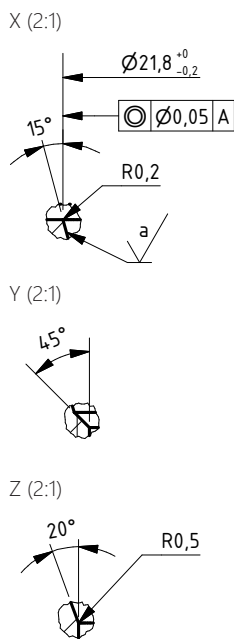
HE4/14 10 06

### Cavity SMSV6



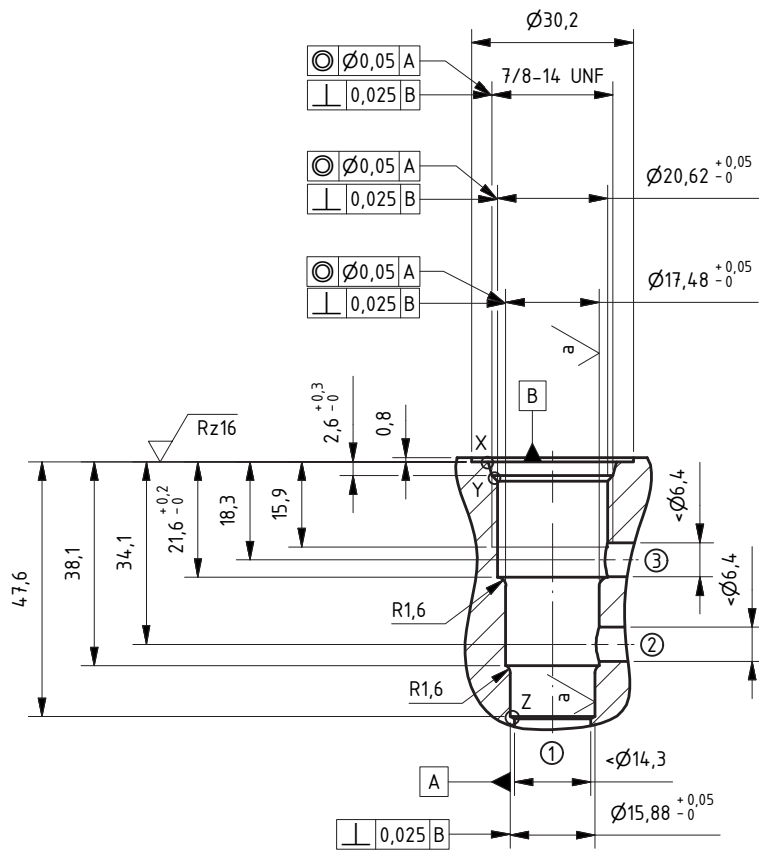
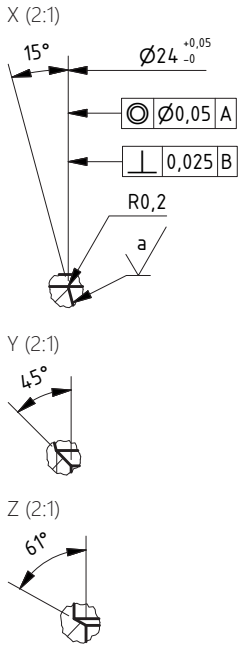
HE4/14 11 21

### Cavity M(S)V3/2



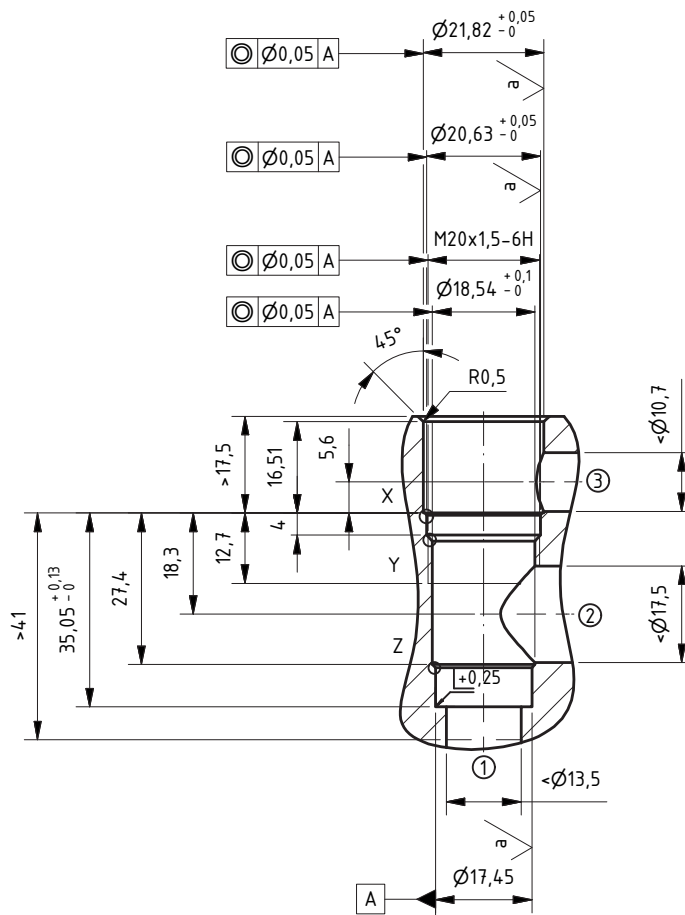
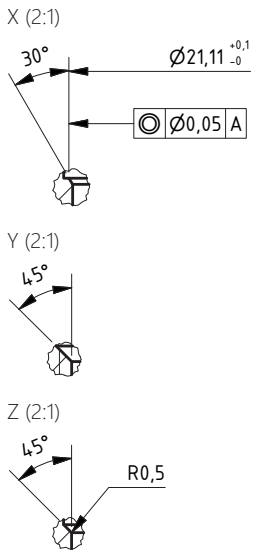
HE4/14 10 22

### Cavity C-10-3



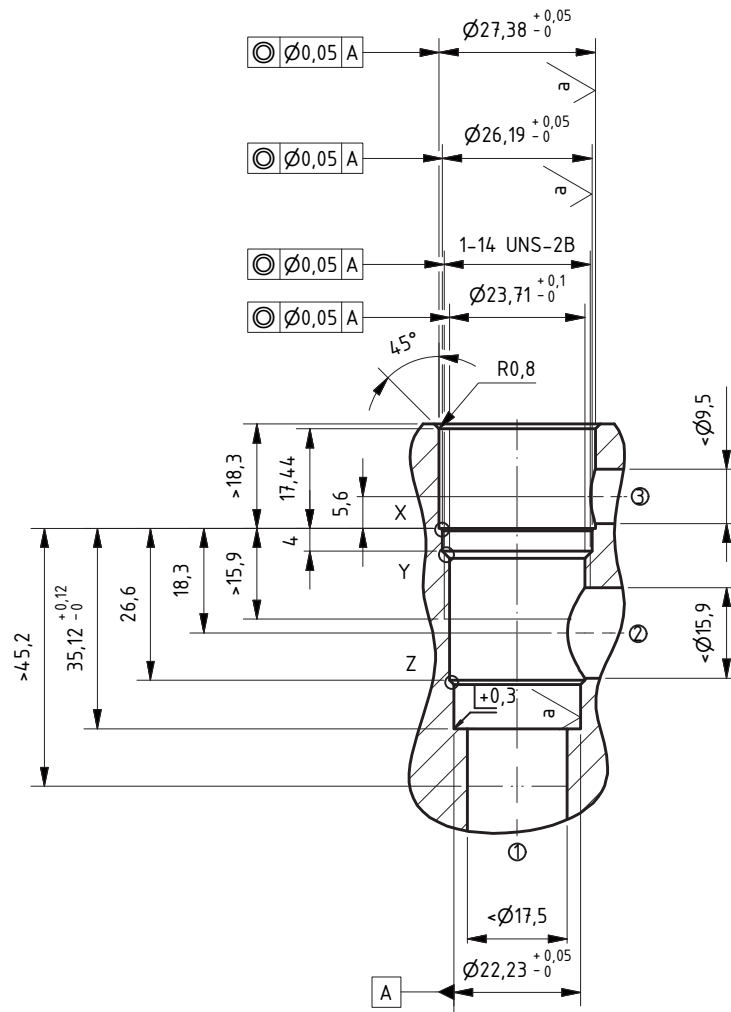
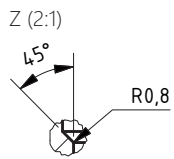
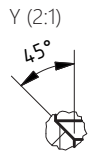
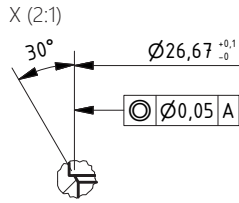
HE4/14 10 18

### Cavity T-11A



HE4/14 09 19

### Cavity T-2A



HE4/14 09 08



WEBER-HYDRAULIK ValveTech GmbH  
 Felix-Wankel-Str. 4, 78467 Konstanz  
 Phone: +49 7531 9748-0  
 Fax: +49 7531 9748-44

www.weber-hydraulik.com  
 info.de-k@weber-hydraulik.com

All rights reserved