



## Manual overrides Designs

110510\_manualoverride  
07.2018

### Characteristics

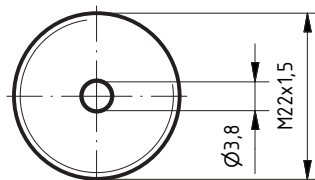
- manual override works directly on the solenoid
- available as lockable or not lockable versions
- lockable versions for mechanical standard settings of the valve
- for cases of disturbance or implementing

**NOTE** You can check the available manual overrides for the particular valves in the type code on the datasheet of each valve.

**NOTE** The pictures exemplify the designs of the manual overrides. The connections to the solenoid may vary according to the different sizes of the valves.

### *Manual override with push pin NH (H402)*

- not lockable
- for operation the internal pin has to be pushed with a pointed object
- when releasing the pin, it switches back into the basic position
- not for continuous operation

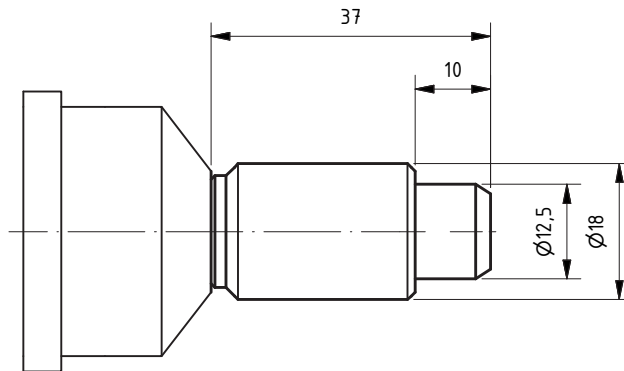


HE4/124818

*Manual override with  
push knob  
DNH (H405)*



- not lockable
- for operation the knob has to be pushed
- when releasing the knob, it switches back into the basic position
- not for continuous operation

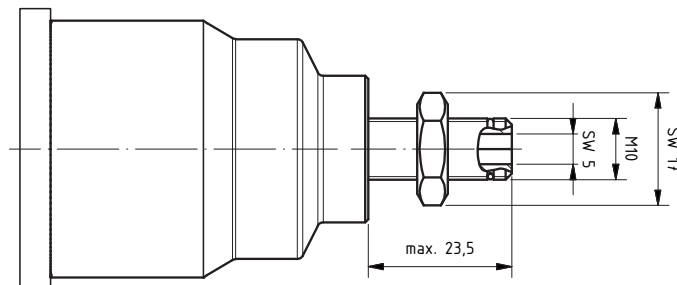


HM4/143014

*Manual override with  
lock nut  
FNH (H301)*



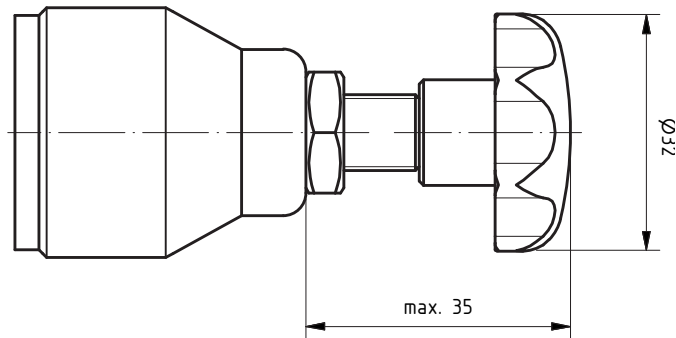
- lockable with srew
- suitable for mechanical standard settings



HE4/151906

*Manual override with  
lock nut and  
hand-wheel  
H302*

- lockable with hand-wheel
- suitable for mechanical standard settings



HMA/143010