

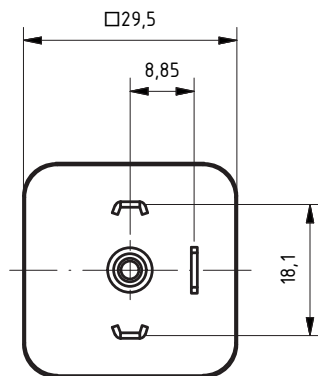


Electrical connectors Designs

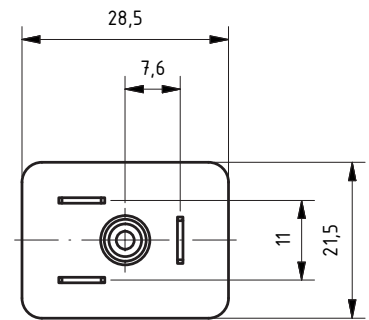
110520_el_connectors
07.2018

NOTE You can check the available connectors for the particular valves in the type code on the datasheet of each valve.

Connector DIN
43650 shape A and B



Shape A



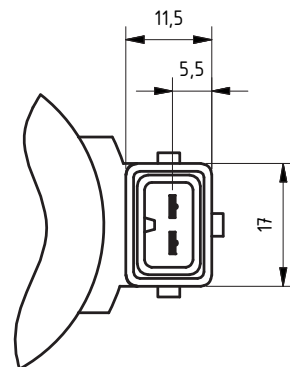
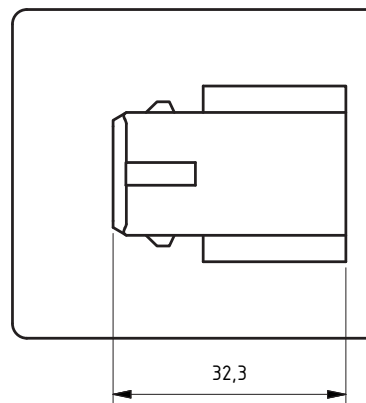
Shape B

HE4/151705

Connector AMP
Junior Timer



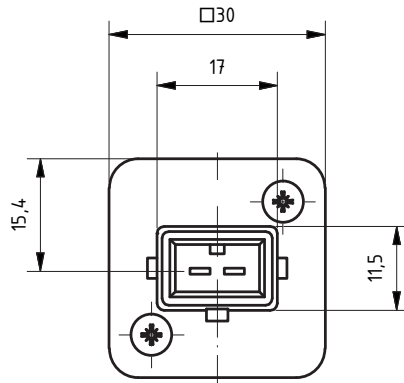
For round solenoid bodies.



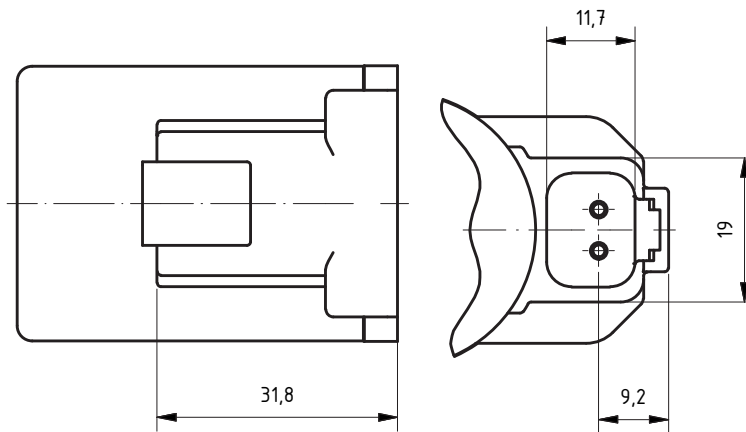
HE4/151901

*Connector AMP
Junior Timer*

For rectangular solenoid bodies.



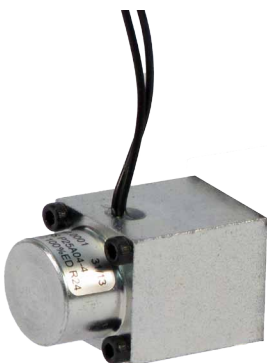
*Connector Deutsch
DT04-2P*



HE4/151902

*Unterminated wire
300 mm*

Only available for rectangular solenoid bodies.



WEBER-HYDRAULIK ValveTech GmbH
Felix-Wankel-Str. 4, 78467 Konstanz
Phone: +49 7531 9748-0
Fax: +49 7531 9748-44

www.weber-hydraulik.com
info.de-k@weber-hydraulik.com

All rights reserved